

TMX S110 (TSF0915-04)

SAW BANDPASS FILTER - ISM

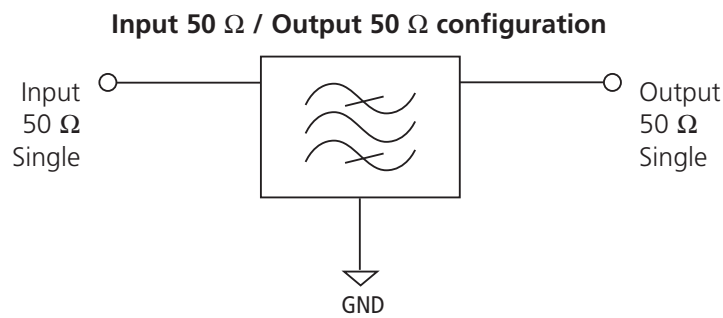
Preliminary Specification

All performances include temperature variations: [- 25°C; + 75°C]

		Minimum	Typical ⁽¹⁾	Maximum
Source impedance (single ended)	Ω		50 ⁽²⁾	
Load impedance (single ended)	Ω		50 ⁽²⁾	
Center frequency F_c	MHz		915	
Absolute attenuation				
300 kHz to 888 MHz	dB	30	34	
941 MHz to 2000 MHz	dB	30	37	
Maximum insertion loss in 902 MHz-928 MHz	dB		1.7	5.0
Amplitude variation ⁽³⁾ in 902 MHz-928 MHz	dB		1.3	2.5
VSWR in 902 MHz-928 MHz at 21°C			2.1: 1	2.5: 1
Input power in 902 MHz-928 MHz	dBm			17
Package type & size				
Length x Width	mm ²		3.8 x 3.8	
Height	mm		1.3	1.35
Pin Out				
Input	2	Output	5	
Case Ground	1, 3, 4, 6	To Be Grounded	1, 3, 4, 6	

Notes:

- (1) Typical values are nominal performances at room temperature.
- (2) No external matching circuit is required.
- (3) The amplitude variation is defined as the maximum level – minimum level over the given bandwidth.



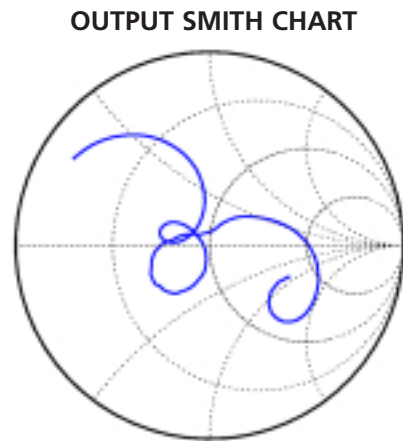
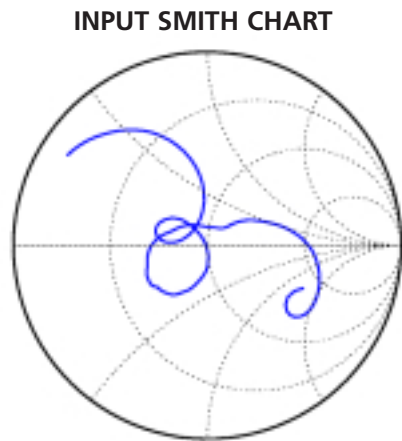
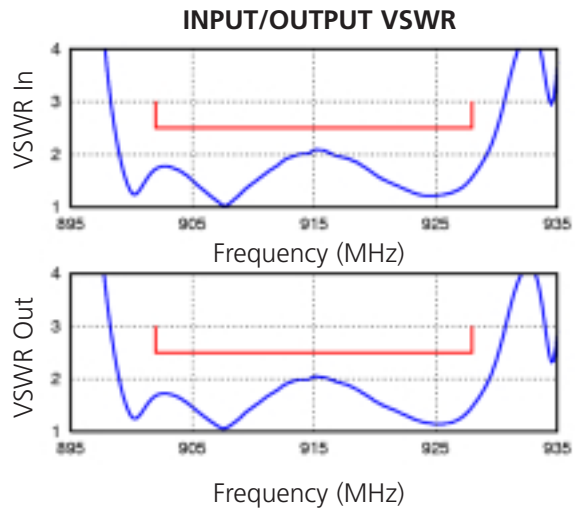
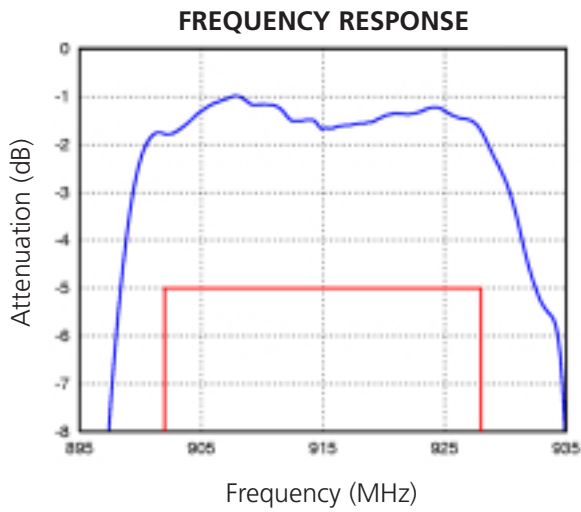
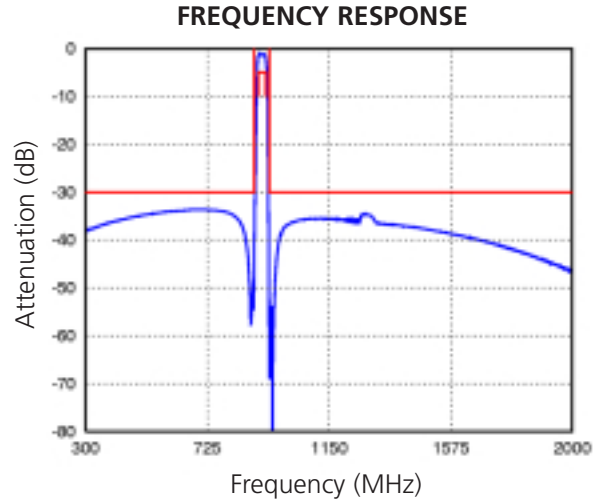
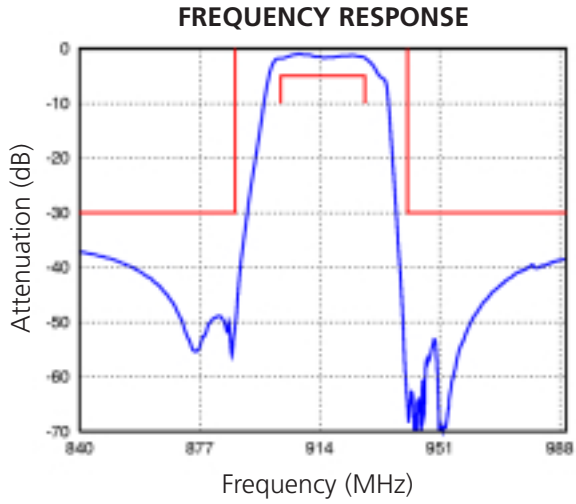
TMX S110 (TSF0915-04)

SAW BANDPASS FILTER - ISM

Preliminary Specification

TYPICAL RESPONSE

Template is linked to specification over whole temperature range



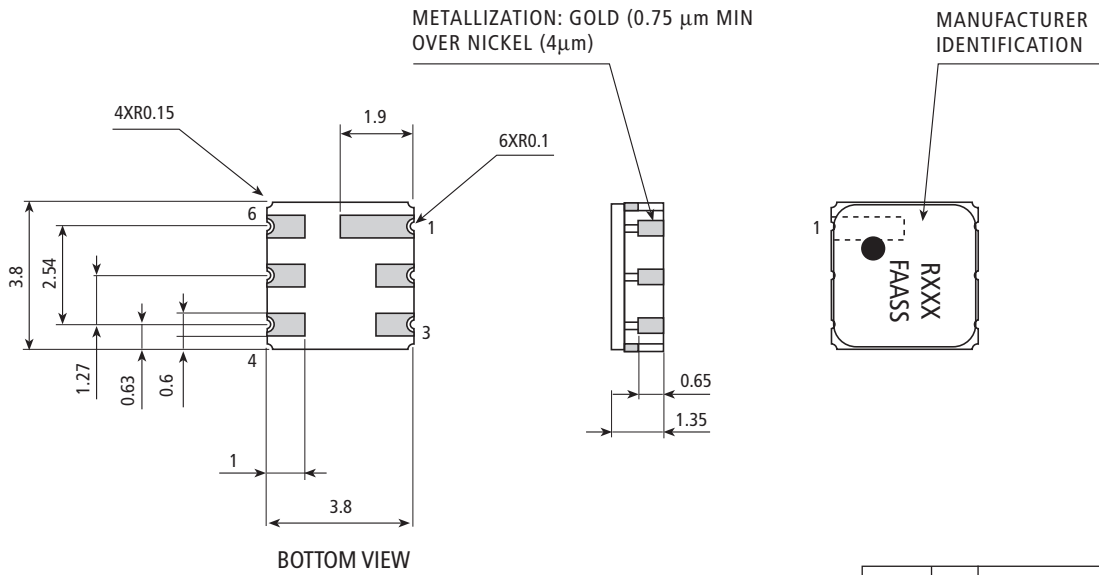
TMX S110 (TSF0915-04)

SAW BANDPASS FILTER - ISM

Preliminary Specification

Package

All dimensions are in mm



	A	0.1mm/25.4mm
General Tolerance		± 0.2 mm